

-60V, -7.8A, 26mΩ P-channel MOSFET

JMPL0625AP

Features

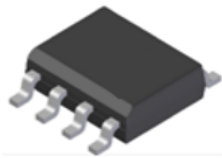
- Excellent $R_{DS(ON)}$ and Low Gate Charge
- 100% UIS Tested
- 100% ΔV_{ds} Tested
- Halogen-free; RoHS-compliant
- Pb-free plating

Applications

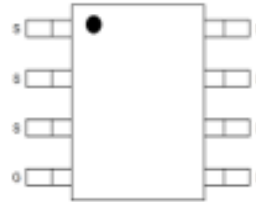
- Load Switch
- PWM Application
- Power Management

Product Summary

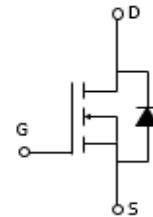
Parameters	Value	Unit
V_{DSS}	-60	V
$V_{GS(th_Typ)}$	-1.9	V
$I_D(@V_{GS}=10V)$	-7.8	A
$R_{DS(ON_Typ)}(@V_{GS}=-10V)$	20	mΩ
$R_{DS(ON_Typ)}(@V_{GS}=-4.5V)$	26	mΩ



SOP-8



Pin Assignment



Schematic

Ordering Information

Device	Marking	MSL	Form	Package	Reel(pcs)	Per Carton (pcs)
JMPL0625AP	PL0625A	3	Tape&Reel	SOP-8	4000	40000

Absolute Maximum Ratings (@ $T_A = 25^\circ\text{C}$ unless otherwise specified)

Symbol	Parameter	Value	Unit
V_{DS}	Drain-to-Source Voltage	-60	V
V_{GS}	Gate-to-Source Voltage	± 20	V
I_D	Continuous Drain Current	$T_A = 25^\circ\text{C}$	-7.8
		$T_A = 100^\circ\text{C}$	-4.9
I_{DM}	Pulsed Drain Current ⁽¹⁾	Refer to Fig.4	A
E_{AS}	Single Pulsed Avalanche Energy ⁽²⁾	165	mJ
P_D	Power Dissipation	$T_A = 25^\circ\text{C}$	2.1
		$T_A = 100^\circ\text{C}$	0.8
T_J, T_{STG}	Junction & Storage Temperature Range	-55 to 150	$^\circ\text{C}$

Thermal Characteristics

Symbol	Parameter	Max	Unit
$R_{\theta JA}$	Thermal Resistance, Junction to Ambient ⁽³⁾	61	$^\circ\text{C/W}$
$R_{\theta JA}$	Thermal Resistance, Junction to Ambient ⁽⁴⁾	60	



**Electrical Characteristics** ($T_J = 25^\circ\text{C}$ unless otherwise specified)

Symbol	Parameter	Conditions	Min.	Typ.	Max.	Unit
Off Characteristics						
$V_{(BR)DSS}$	Drain-Source Breakdown Voltage	$I_D = -250\mu\text{A}$, $V_{GS} = 0\text{V}$	-60	-	-	V
I_{DSS}	Zero Gate Voltage Drain Current	$V_{DS} = -48\text{V}$, $V_{GS} = 0\text{V}$	-	-	1.0	μA
I_{GSS}	Gate-Body Leakage Current	$V_{DS} = 0\text{V}$, $V_{GS} = \pm 20\text{V}$	-	-	± 100	nA
On Characteristics						
$V_{GS(th)}$	Gate Threshold Voltage	$V_{DS} = V_{GS}$, $I_D = -250\mu\text{A}$	-1.3	-1.9	-2.5	V
$R_{DS(ON)}$	Static Drain-Source ON-Resistance ⁽⁵⁾	$V_{GS} = -10\text{V}$, $I_D = -10\text{A}$	-	20	25	$\text{m}\Omega$
		$V_{GS} = -4.5\text{V}$, $I_D = -7\text{A}$	-	26	34	$\text{m}\Omega$
Dynamic Characteristics						
R_g	Gate Resistance	$f = 1\text{MHz}$	-	4.4	-	Ω
C_{iss}	Input Capacitance	$V_{GS} = 0\text{V}$, $V_{DS} = -30\text{V}$, $f = 1\text{MHz}$	1159	1623	2191	pF
C_{oss}	Output Capacitance		286	400	541	pF
C_{rss}	Reverse Transfer Capacitance		10	14	19	pF
Q_g	Total Gate Charge	$V_{GS} = 0$ to -4.5V $V_{DS} = -30\text{V}$, $I_D = -7\text{A}$	18	25	34	nC
Q_{gs}	Gate Source Charge		-	6.5	-	nC
Q_{gd}	Gate Drain("Miller") Charge		-	3.3	-	nC
Switching Characteristics						
$t_{d(on)}$	Turn-On DelayTime	$V_{GS} = -10\text{V}$, $V_{DD} = -30\text{V}$ $I_D = -7\text{A}$, $R_{GEN} = 3\Omega$	-	7.5	-	ns
t_r	Turn-On Rise Time		-	4.2	-	ns
$t_{d(off)}$	Turn-Off DelayTime		-	30	-	ns
t_f	Turn-Off Fall Time		-	5.7	-	ns
Body Diode Characteristics						
I_S	Maximum Continuous Body Diode Forward Current		-	-	-7.8	A
I_{SM}	Maximum Pulsed Body Diode Forward Current		-	-	-31	A
V_{SD}	Body Diode Forward Voltage	$V_{GS} = 0\text{V}$, $I_S = -10\text{A}$	-		-1.2	V
t_{rr}	Body Diode Reverse Recovery Time	$I_F = -7\text{A}$, $di/dt = 100\text{A/us}$	-	37	-	ns
Q_{rr}	Body Diode Reverse Recovery Charge		-	40	-	nC

- Notes:
1. Repetitive Rating: Pulse Width Limited by Maximum Junction Temperature.
 2. E_{AS} condition: Starting $T_J = 25^\circ\text{C}$, $V_{DD} = -30\text{V}$, $V_G = -10\text{V}$, $R_G = 25\text{ohm}$, $L = 3\text{mH}$, $I_{AS} = -10.5\text{A}$, $V_{DD} = 0\text{V}$ during time in avalanche.
 3. $R_{\theta JA}$ is measured with the device mounted on a minimum recommended pad of 2oz copper FR4 PCB.
 4. $R_{\theta JA}$ is measured with the device mounted on a 1inch² pad of 2oz copper FR4 PCB.
 5. Pulse Test: Pulse Width $\leq 300\mu\text{s}$, Duty Cycle $\leq 0.5\%$.



Typical Performance Characteristics

Figure 1: Power De-rating

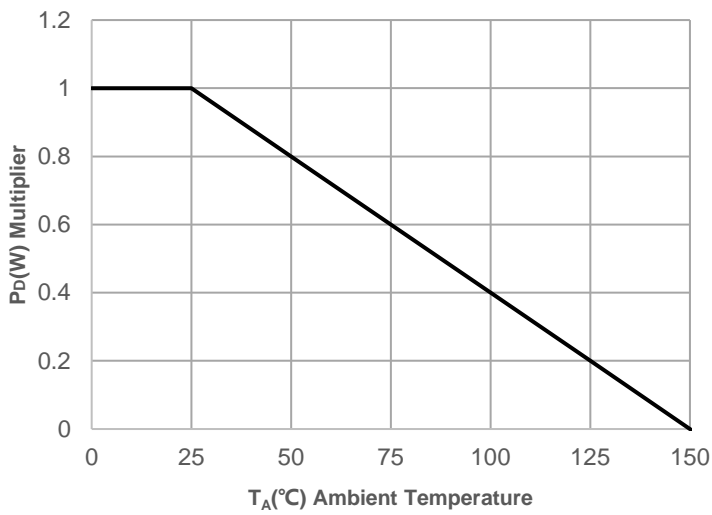


Figure 2: Current De-rating

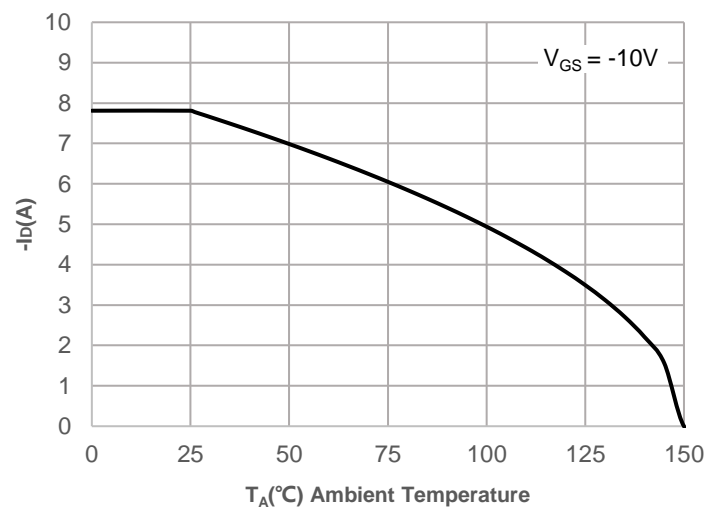


Figure 3: Normalized Maximum Transient Thermal Impedance

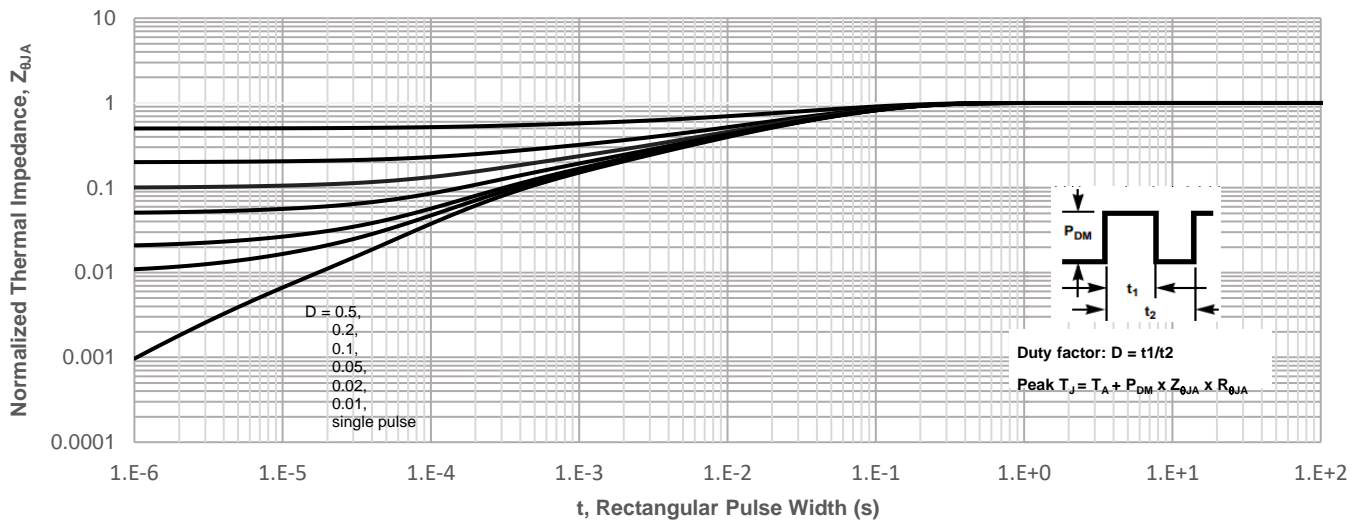
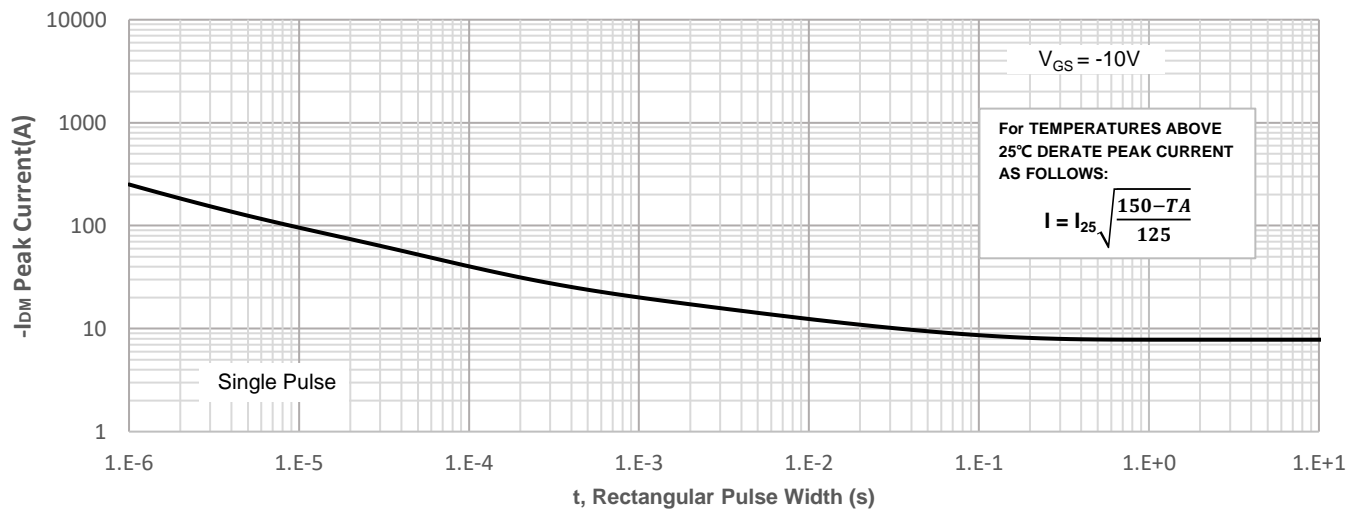
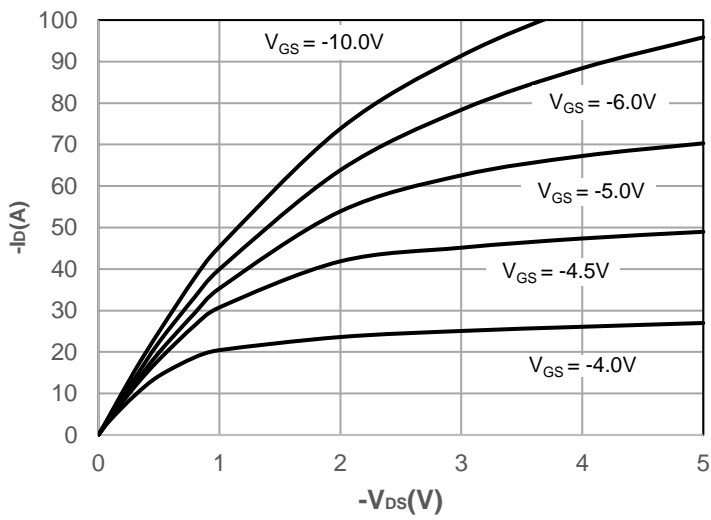
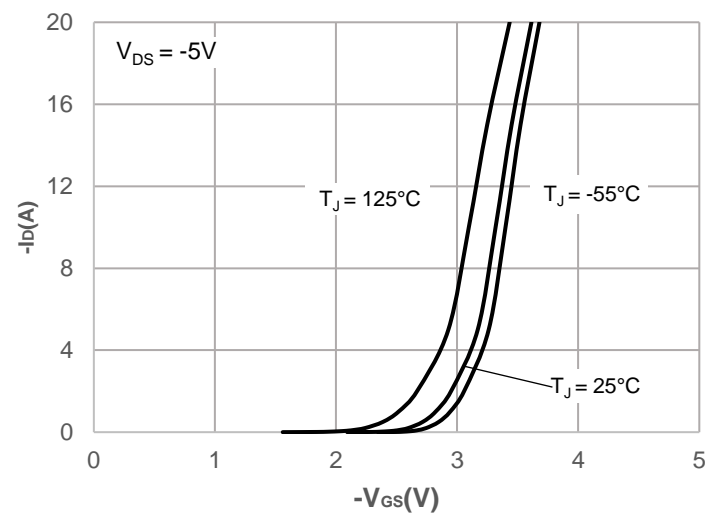
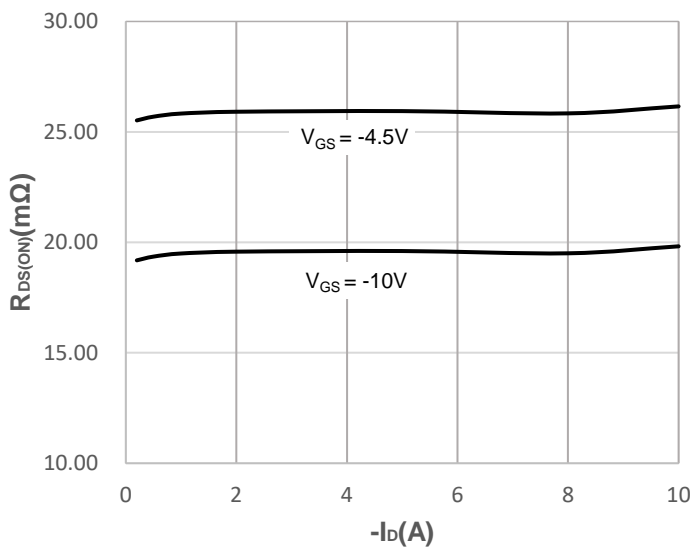
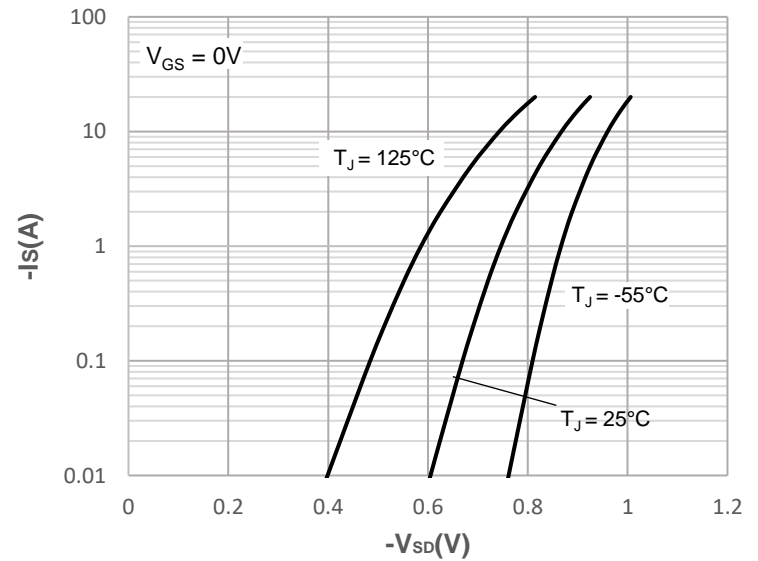
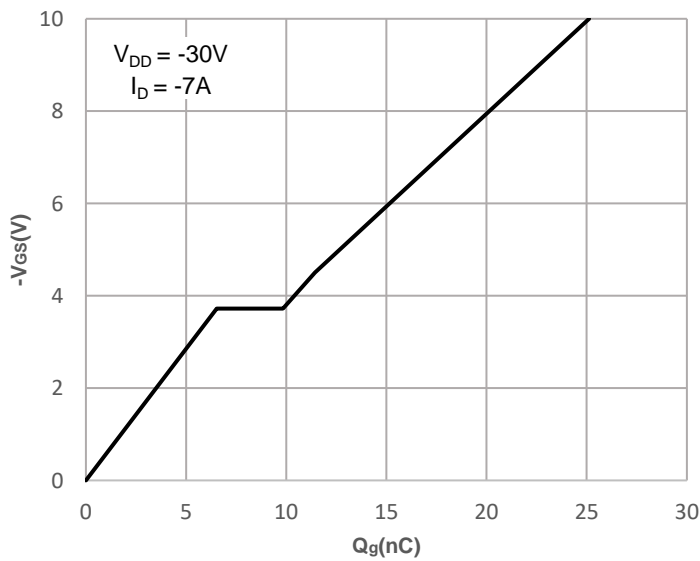
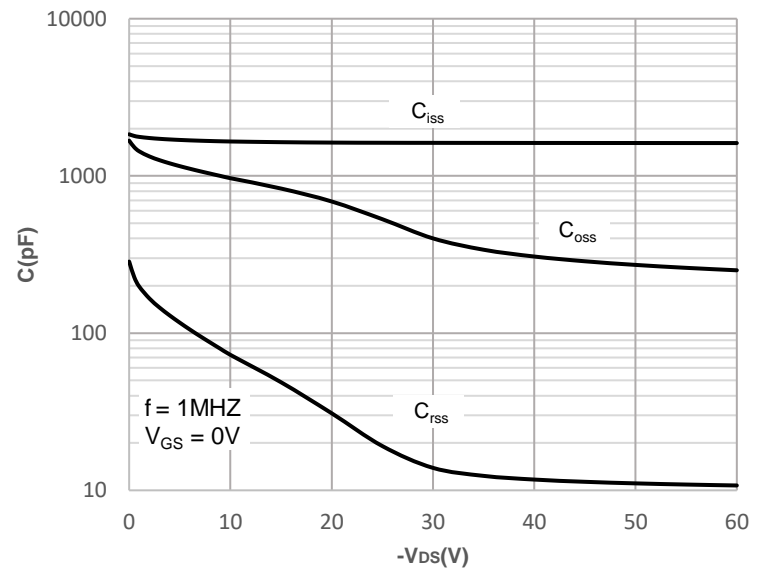


Figure 4: Peak Current Capacity



Typical Performance Characteristics

Figure 5: Output Characteristics

Figure 6: Typical Transfer Characteristics

Figure 7: On-resistance vs. Drain Current

Figure 8: Body Diode Characteristics

Figure 9: Gate Charge Characteristics

Figure 10: Capacitance Characteristics


Typical Performance Characteristics

Figure 11: Normalized Breakdown voltage vs. Junction Temperature

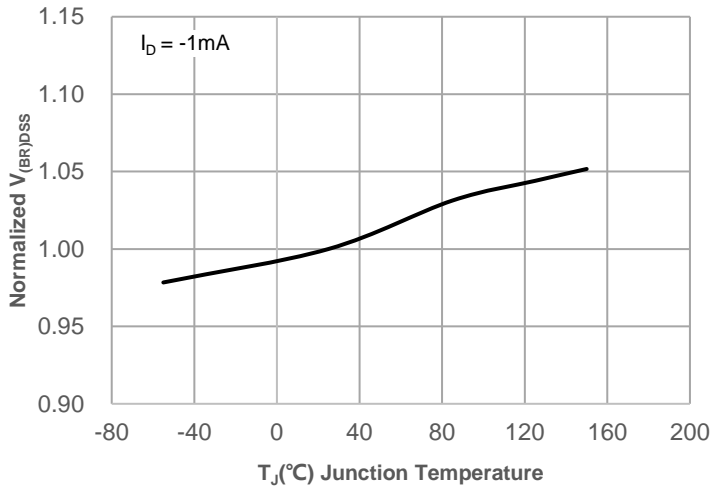


Figure 12: Normalized on Resistance vs. Junction Temperature

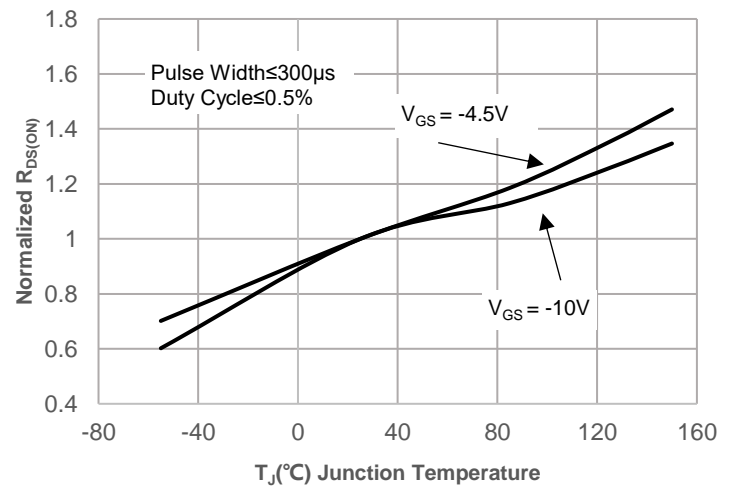


Figure 13: Normalized Threshold Voltage vs. Junction Temperature

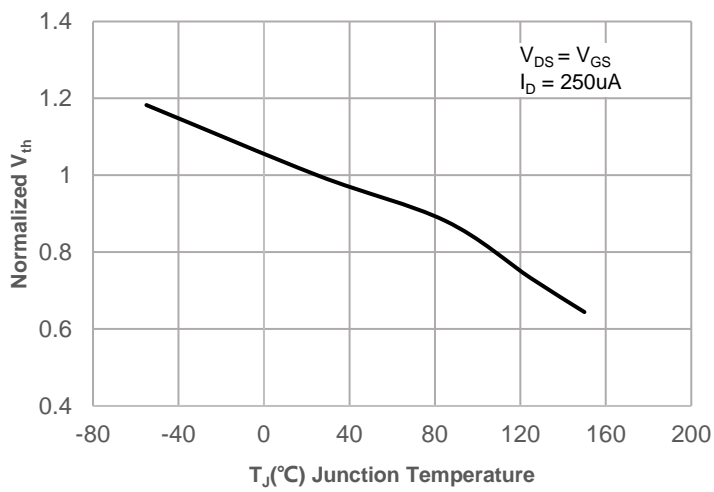


Figure 14: RDS(ON) vs. VGS

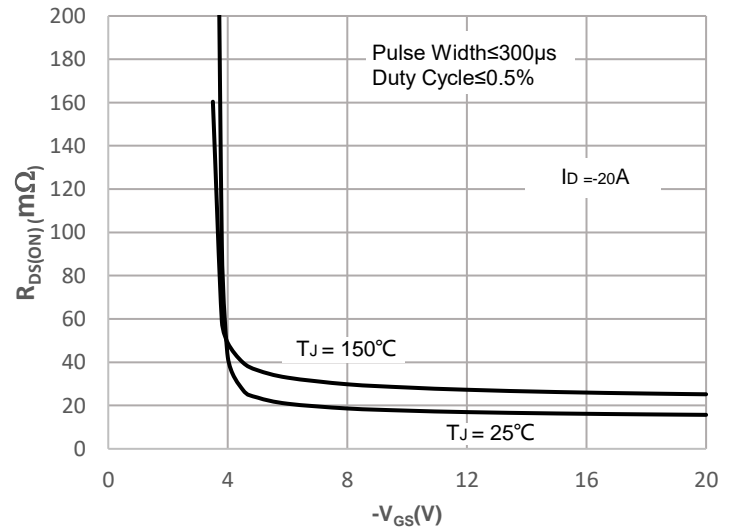
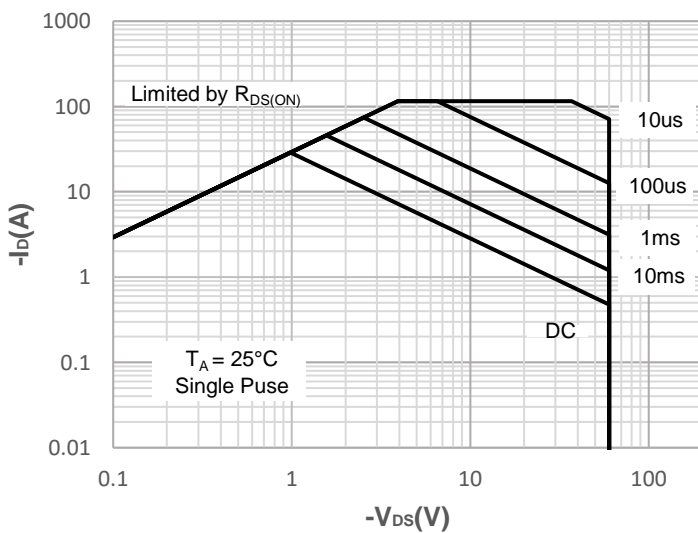
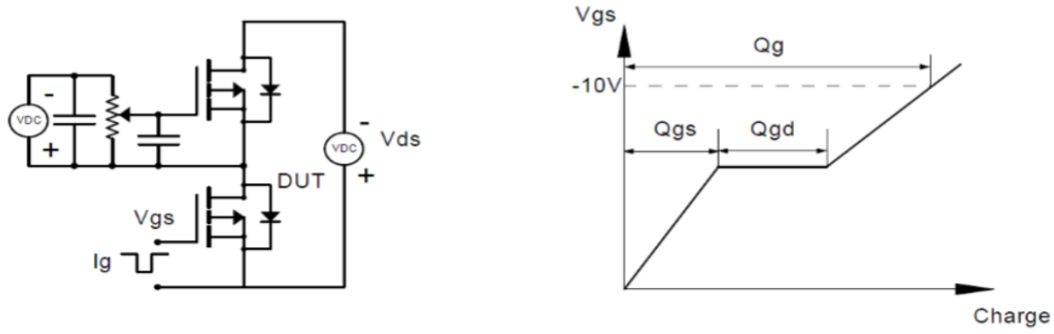
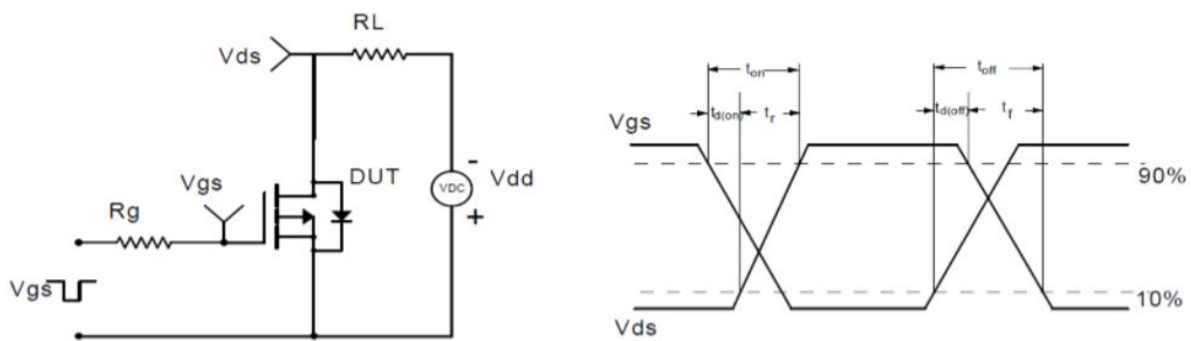
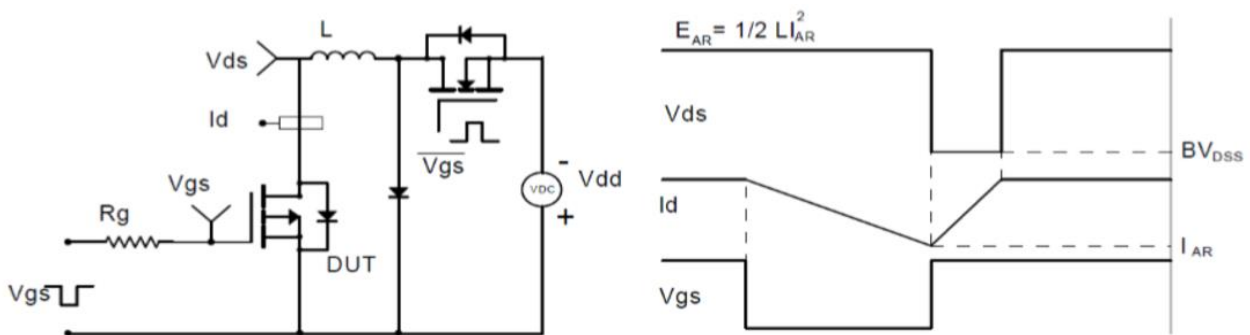
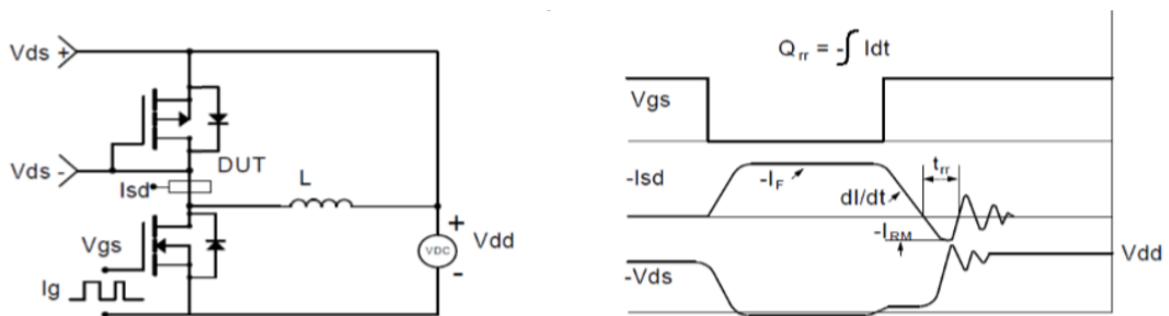


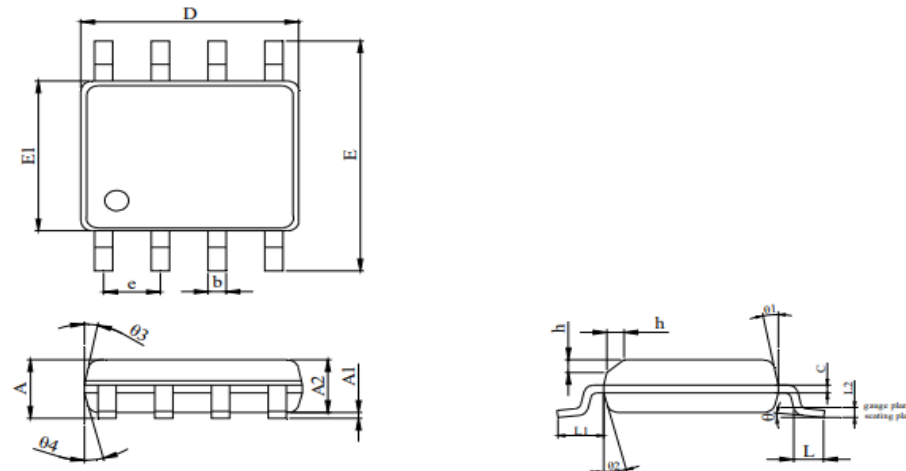
Figure 15: Maximum Safe Operating Area



Test Circuit

Figure 1: Gate Charge Test Circuit & Waveform

Figure 2: Resistive Switching Test Circuit & Waveform

Figure 3: Unclamped Inductive Switching Test Circuit & Waveform

Figure 4: Diode Recovery Test Circuit & Waveform

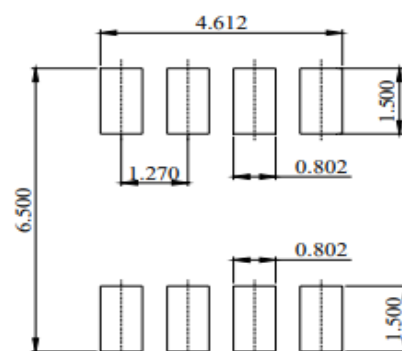

Package Mechanical Data(SOP-8)

Package Outline



DIM	MILLIMETER		
	MIN.	NOM.	MAX.
A	1.35	1.50	1.65
A1	0.05	0.10	0.15
A2	1.35	1.40	1.50
b	0.38	--	0.50
c	0.17	--	0.25
D	4.80	4.90	5.00
E	5.80	6.00	6.20
E1	3.80	3.90	4.00
e	1.27(BSC)		
L	0.45	0.60	0.80
L1	1.04 REF		
L2	0.25 BSC		
h	0.30	0.40	0.50
θ	0°	--	8°
θ_1	10°	12°	14°
θ_2	8°	10°	12°
θ_3	10°	12°	14°
θ_4	8°	10°	12°

Recommended Footprint



DIMENSIONS: MILLIMETERS

Information furnished in this document is believed to be accurate and reliable. However, Jiangsu JieJie Microelectronics Co.,Ltd assumes no responsibility for the consequences of use without consideration for such information nor use beyond it. Information mentioned in this document is subject to change without notice, apart from that when an agreement is signed, Jiangsu JieJie complies with the agreement. Products and information provided in this document have no infringement of patents. Jiangsu JieJie assumes no responsibility for any infringement of other rights of third parties which may result from the use of such products and information.



is a registered trademark of Jiangsu JieJie Microelectronics Co.,Ltd.